



1911 MANUAL

ALL MODELS

CONTENTS

Contents.....	1
State-By-State Warnings.....	2
Standard 1911.....	5
1911 Platypus	6
Optic Cuts	7
Platypus Magazine Funnel.....	8
Safety.....	9
Warning.....	10
Storage	11
Unloading.....	11
Inspection of Firearm	11
Troubleshooting	12
Disassembly.....	13
Cleaning and Caring for Firearm.....	14
Loading and Firing	14
Specs	15
Record Keeping	15

STATE-BY-STATE WARNINGS

Certain states require by law that their own specified warning notices in larger-than-normal type be conspicuously included by the manufacturer, distributor or retailer with firearms sold in that state. Stealth Arms, LLC sells its products in compliance with applicable laws and regulations. Because our products may be sold in these states, we include the following.

California:

WARNING: “FIREARMS MUST BE HANDLED RESPONSIBLY AND SECURELY STORED TO PREVENT ACCESS BY CHILDREN AND OTHER UNAUTHORIZED USERS, CALIFORNIA HAS STRICT LAWS PERTAINING TO FIREARMS, YOU MAY BE FINED OR IMPRISONED IF YOU FAIL TO COMPLY WITH THEM. VISIT THE WEBSITE OF THE CALIFORNIA ATTORNEY GENERAL AT <https://oag.ca.gov/firearms> FOR INFORMATION ON FIREARM LAWS APPLICABLE TO YOU AND HOW YOU CAN COMPLY. PREVENT CHILD ACCESS BY ALWAYS KEEPING GUNS LOCKED AWAY AND UNLOADED WHEN NOT IN USE. IF YOU KEEP A LOADED FIREARM WHERE A CHILD OBTAINS IT AND IMPROPERLY USES IT, YOU MAY BE FINED OR SENT TO PRISON.”

Connecticut:

“UNLAWFUL STORAGE OF A LOADED FIREARM MAY RESULT IN IMPRISONMENT OR FINE.”

Florida:

“IT IS UNLAWFUL, AND PUNISHABLE BY IMPRISONMENT AND FINE, FOR ANY ADULT TO STORE OR LEAVE A FIREARM IN ANY PLACE WITHIN THE REACH OR EASY ACCESS OF A MINOR UNDER 18 YEARS OF AGE OR TO KNOWINGLY SELL OR OTHERWISE TRANSFER OWNERSHIP OR POSSESSION OF A FIREARM TO A MINOR OR A PERSON OF UNSOUND MIND.”

Maine:

“ENDANGERING THE WELFARE OF A CHILD IS A CRIME. IF YOU LEAVE A FIREARM AND AMMUNITION WITHIN EASY ACCESS OF A CHILD, YOU MAY BE SUBJECT TO FINE, IMPRISONMENT OR BOTH. KEEP FIREARMS AND AMMUNITION SEPARATE. KEEP FIREARMS AND AMMUNITION LOCKED UP. USE TRIGGER LOCKS.”

Maryland:

“WARNING: CHILDREN CAN OPERATE FIREARMS WHICH MAY CAUSE DEATH OR SERIOUS INJURY. IT IS A CRIME TO STORE OR LEAVE A LOADED FIREARM IN ANY LOCATION WHERE AN INDIVIDUAL KNEW OR SHOULD HAVE KNOWN AN UNSUPERVISED MINOR WOULD GAIN ACCESS TO FIREARM. STORE YOUR FIREARMS RESPONSIBLY!”

Massachusetts:

“WARNING FROM THE ATTORNEY GENERAL:
THIS HANDGUN IS NOT EQUIPPED WITH A DEVICE THAT FULLY BLOCKS USE BY UNAUTHORIZED USERS. MORE THAN 200,000 FIREARMS LIKE THIS ONE ARE STOLEN FROM THEIR OWNERS EVERY YEAR IN THE UNITED STATES. IN ADDITION, THERE ARE MORE THAN A THOUSAND SUICIDES EVERY YEAR BY YOUNGER CHILDREN AND TEENAGERS WHO GET ACCESS TO FIREARMS. HUNDREDS MORE DIE FROM ACCIDENTAL DISCHARGE. IT IS LIKELY THAT MANY MORE CHILDREN SUSTAIN SERIOUS WOUNDS OR INFLICT SUCH WOUNDS ACCIDENTALLY ON OTHERS. IN ORDER TO LIMIT THE CHANCE OF SUCH MISUSE, IT IS IMPERATIVE THAT YOU KEEP THIS WEAPON LOCKED IN A SECURE PLACE AND TAKE OTHER STEPS NECESSARY TO LIMIT THE POSSIBILITY OF THEFT OR ACCIDENT. FAILURE TO TAKE REASONABLE PREVENTIVE STEPS MAY RESULT IN INNOCENT LIVES BEING LOST, AND IN SOME CIRCUMSTANCES MAY RESULT IN YOUR LIABILITY OF THESE DEATHS.”
“IT IS UNLAWFUL TO STORE OR KEEP A FIREARM, RIFLE, SHOTGUN OR MACHINE GUN IN ANY PLACE UNLESS THAT WEAPON IS EQUIPPED WITH A TAMPER RESISTANT SAFETY DEVICE OR IS STORED OR KEPT IN A SECURELY LOCKED CONTAINER.”

New Jersey:

“IT IS A CRIMINAL OFFENSE TO LEAVE A LOADED FIREARM WITHIN EASY ACCESS OF A MINOR.”

New York City:

“THE USE OF A LOCKING DEVICE OR SAFETY LOCK IS ONLY ONE ASPECT OF RESPONSIBLE FIREARM STORAGE. FOR INCREASED SAFETY, FIREARMS SHOULD BE STORED UNLOADED AND LOCKED IN A LOCATION THAT IS BOTH SEPARATE FROM THEIR AMMUNITION AND INACCESSIBLE TO CHILDREN AND UNAUTHORIZED PERSONS.”

North Carolina:

“IT IS UNLAWFUL TO STORE OR LEAVE A FIREARM THAT CAN BE DISCHARGED IN A MANNER THAT A REASONABLE PERSON SHOULD KNOW IS ACCESSIBLE TO A MINOR.”

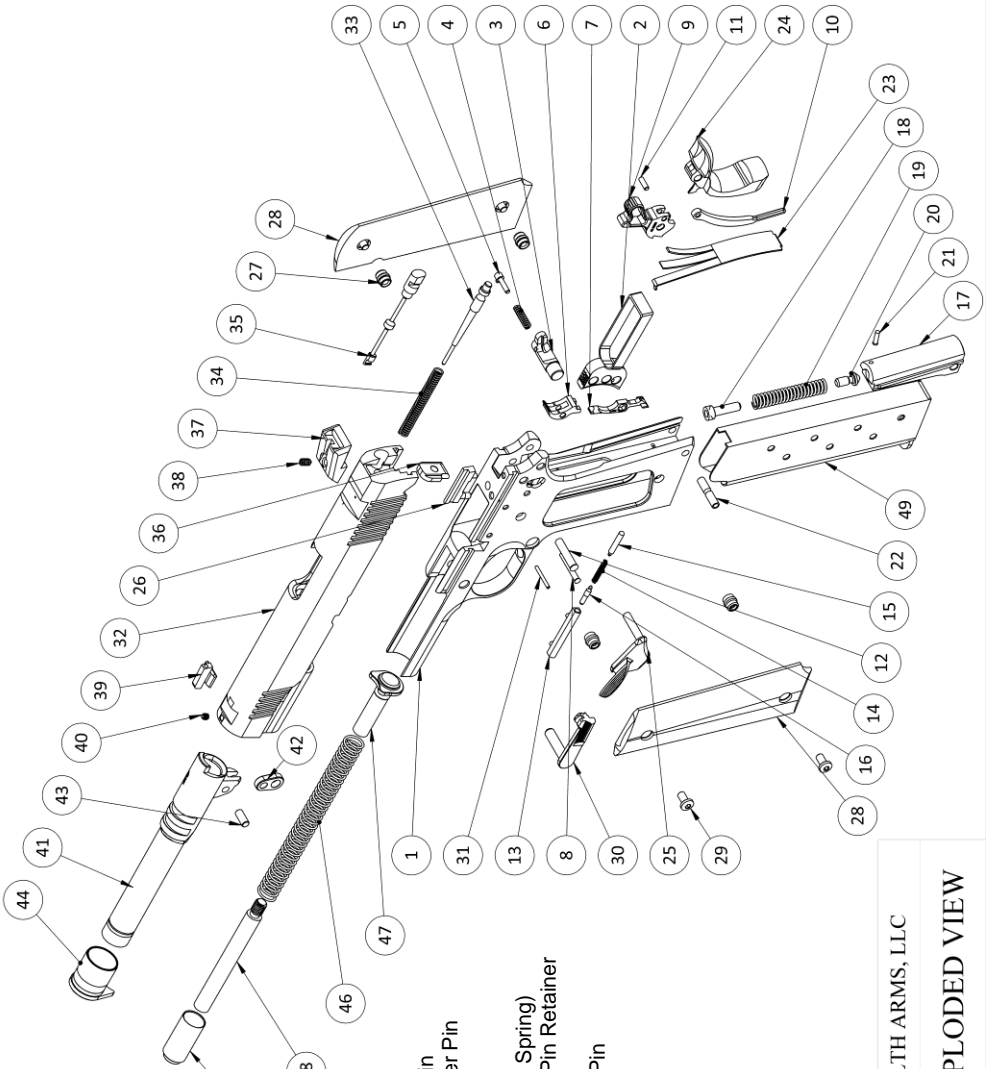
Texas:

“IT IS UNLAWFUL TO STORE, TRANSPORT, OR ABANDON AN UNSECURED FIREARM IN A PLACE WHERE CHILDREN ARE LIKELY TO BE AND CAN OBTAIN ACCESS TO THE FIREARM.”

Wisconsin:

“IF YOU LEAVE A LOADED FIREARM WITHIN THE REACH OR EASY ACCESS OF A CHILD YOU MAY BE FINED OR IMPRISONED OR BOTH IF THE CHILD IMPROPERLY DISCHARGES, POSSESSES, OR EXHIBITS THE FIREARM.”

STANDARD 1911

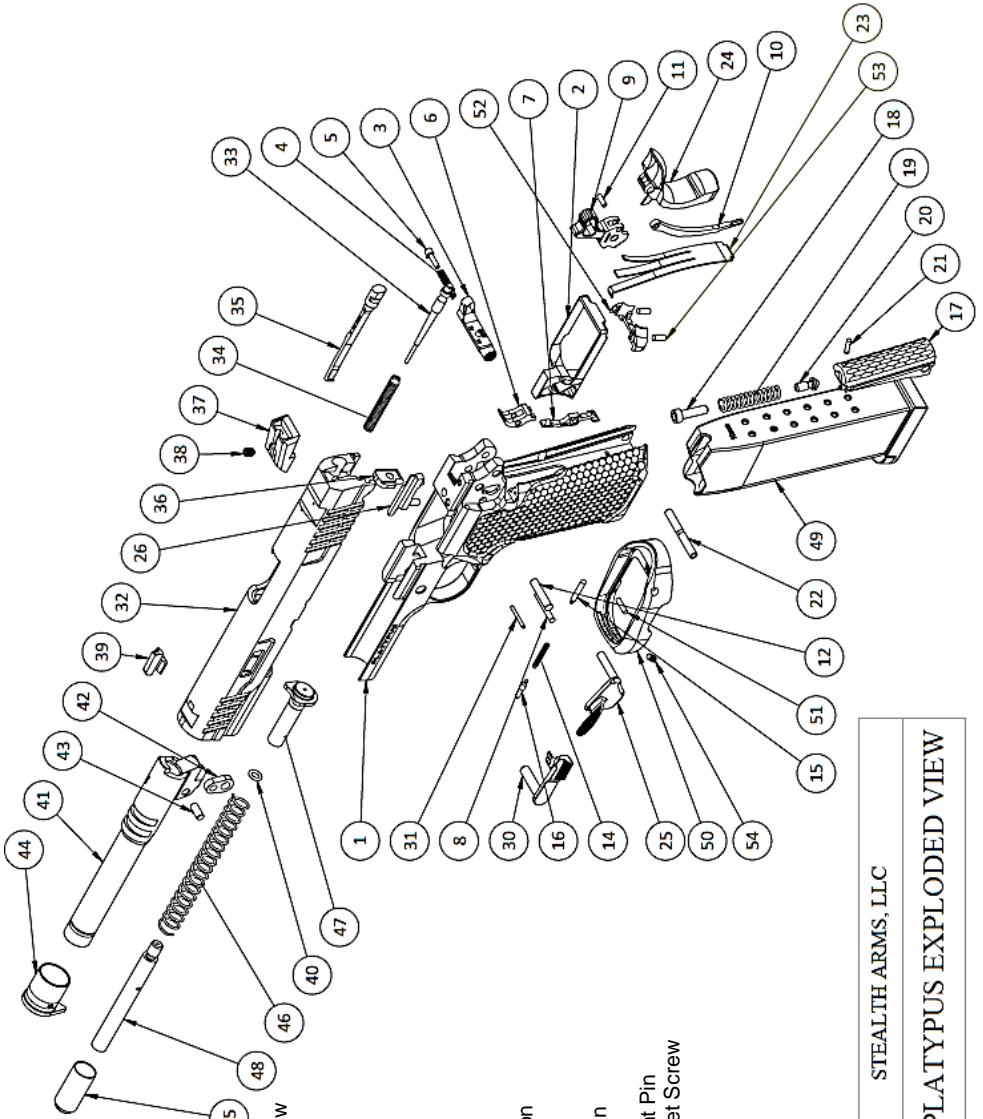


1. Frame
2. Trigger
3. Magazine Catch
4. Mag Catch Spring
5. Mag Catch Lock
6. Sear
7. Disconnector
8. Sear Pin
9. Hammer
10. Hammer Strut
11. Hammer Strut Pin
12. Hammer Pin
13. Plunger Tube
14. Plunger Tube Spring
15. Slide Stop Plunger Pin
16. Thumb Safety Plunger Pin
17. Mainspring Housing
18. Mainspring Cap
19. Mainspring (Hammer Spring)
20. Mainspring Housing Pin Retainer
21. Mainspring Cap Pin
22. Mainspring Housing Pin
23. Sear Spring
24. Grip Safety
25. Thumb Safety
26. Ejector
27. Grip Bushing
28. Grips
29. Grip Screws

STEALTH ARMS, LLC

1911 EXPLODED VIEW

1911 PLATYPUS

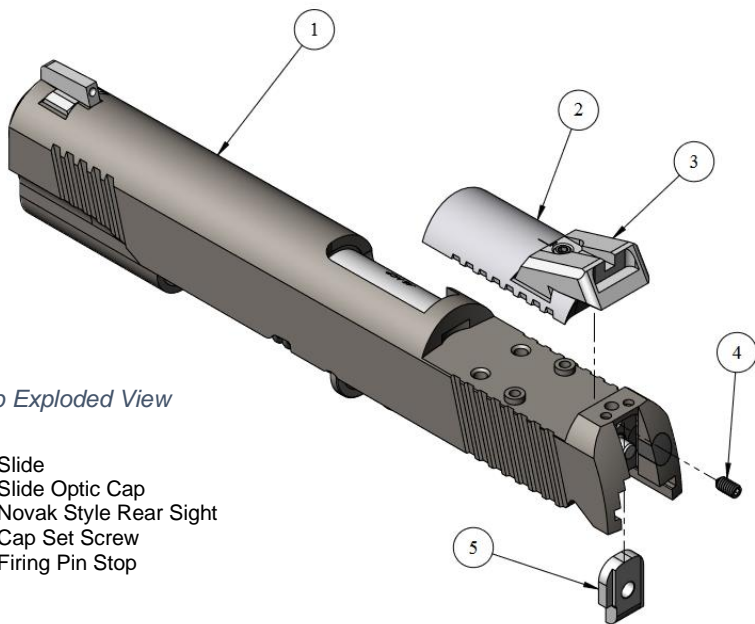


- 30. Slide Stop
- 31. Ejector Pin
- 32. Slide
- 33. Firing Pin
- 34. Firing Pin Spring
- 35. Extractor
- 36. Firing Pin Stop
- 37. Rear Sight
- 38. Rear Sight Set Screw
- 39. Front Sight
- 40. Guide Rod O-Ring
- 41. Barrel
- 42. Barrel Link
- 43. Barrel Link Pin
- 44. Barrel Bushing
- 45. Recoil Spring Plug
- 46. Recoil Spring
- 47. Guide Rod
- 48. Guide Rod Extension
- 49. Magazine
- 50. Magazine Funnel
- 51. Magazine Funnel Pin
- 52. Trigger Insert
- 53. Trigger Insert Detent Pin
- 54. Magazine Funnel Set Screw

STEALTH ARMS, LLC

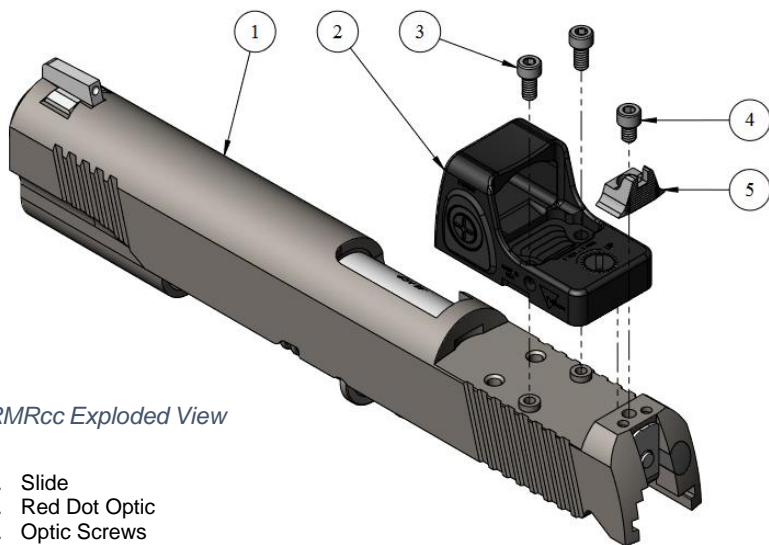
1911 PLATYPUS EXPLODED VIEW

OPTIC CUTS



Cap Exploded View

1. Slide
2. Slide Optic Cap
3. Novak Style Rear Sight
4. Cap Set Screw
5. Firing Pin Stop



RMRcc Exploded View

1. Slide
2. Red Dot Optic
3. Optic Screws
4. Fixed Sight Screw
5. Fixed Rear Sight



To remove the slide optics cap, remove the slide assembly from the frame. Push in the firing pin to remove firing pin stop. Remove the set screw under the firing pin stop. Lift the cap by gripping the rear sight.

Optic Installation



The list of available footprints and compatible optics for each footprint can be found on our website.

Available Footprints



Information about mounting your optic to your slide can be found on our website. This includes the procedure and information about the fastening methods.

Optic Mounting Information

PLATYPUS **MAGAZINE FUNNEL**



To remove the magazine funnel, loosen the set screw found on the bottom of the funnel, drive out the mainspring housing pin, and pull down from the front of the funnel.

Mag Funnel Installation

SAFETY

It is important that you read and understand the owner's manual before using this firearm. Failure to read and understand this may result in serious injury or death to you or others.

Three universal rules for safe gun handling:

1. Always treat a firearm as if it is loaded.
2. Keep your finger off the trigger until you are ready to fire.
3. Always keep the firearm pointed in a safe direction.

Careless or improper handling of this firearm could cause injury or death to you or others.

Always use high quality commercial ammunition. Store ammunition in a clean and dry area and always check ammunition before using. The use of reloaded ammunition is not recommended as defects could be unseen and can damage the pistol and injure you or others.

The most important safety device for any firearm is the operator. Under no circumstance is Stealth Arms responsible for any injury, death, or property damage that results from:

- Criminal or negligent use of the firearm
- Careless handling of the firearm
- Disregard for the safety guidelines and warnings
- Improper or negligent modifications or repairs to the firearm
- The use of defective, improper, or reloaded ammunition

WARNING

Always be sure the weapon is unloaded when not using it. Failure to do so could result in injury or death. Never allow an individual who has not read and understood this manual to operate this firearm.

Be sure of your target. Always use a backstop like dirt or sand. Never take a skyline shot. Bullets can easily ricochet off hard surfaces such as water and rocks. Never shoot into the sky. Be aware of buildings and residential areas that may be beyond view.

Always wear appropriate eye and ear protection when shooting. It is best practice for others within the area to wear both eye and ear protection.

Never operate a firearm with drugs or alcohol in your system. In the case of a misfire, always verify the barrel is clear. Keep the barrel clean and free of dirt, mud, or snow. Failure to do so could result in serious injury or death.

Be sure to use the correct caliber or gauge of ammunition. Never try to substitute calibers. Do not use reloaded ammunition that has not been through an internal ballistic pressure test. Failure to do so could lead to serious injury or death.

Safely store your firearm. Always store your firearm and ammunition separately. Use a gun lock on all pistols when not in use. Store in a safe, inaccessible area of children. Your firearms are your responsibility at all times.

If you have a failure to fire, handle it with care. Keep your pistol pointed down range for at least 10 seconds. Never stand in front of the breech of your pistol. Unload the pistol and check your barrel for an obstruction.

Never try to modify or repair your firearm. Only Stealth Arms or a competent gunsmith should repair or modify your firearm.

Overtightening the guide rod, while the slide assembly is on the frame, has caused the frame to crack.

STORAGE

Always store your firearm in a hard case, pistol sleeve, or a safe with a pistol lock on it. Store firearms in 65-75 °F and 50% or less humidity. This will prevent surface rust on your firearm. Never store ammunition with your firearm. Store firearms out of reach of children. Failure to do this can lead to injury or death.

UNLOADING

When unloading, always keep your firearm pointed in a safe direction.

If there is a round in the chamber:

1. Remove magazine from gun
2. Rack slide back to eject round from chamber
3. Rack slide back to double check chamber is empty
4. Return slide to full battery while gripping the gun with one hand compressing the grip safety and use your other hand to let the hammer down. Do not let the hammer slam forward.

INSPECTION OF FIREARM

Always inspect your firearm before shooting. It is important to inspect your firearm to avoid any further damage that may have gone unnoticed. Your firearm could have a catastrophic failure if precautions are not taken. Rails, chamber, sear, hammer, slide, and frame should always be checked for dents, cracks, and unusual wear marks. Anything out of the ordinary should not be taken lightly. Do not fire the pistol and get in contact with Stealth Arms. Always properly clear your firearm before inspecting it.

TROUBLESHOOTING

NEVER CHANGE ANY DIMENSIONS ON YOUR PISTOL. Critical dimensions that have been changed can lead to catastrophic failure. NEVER USE PARTS FROM ANOTHER MANUFACTURER, OTHER THAN STEALTH ARMS. Interchanging parts can have different dimensions and cause malfunctions. All Modifications made to your pistol should be done by a qualified gunsmith or Stealth Arms. Failure to follow the directions of the manual could lead to injury or death.

When clearing a jam, always keep your pistol pointed in a safe direction with your finger off the trigger. Remove the magazine from the pistol. Then, proceed to rack back on the slide to remove the spent shell casing.

When clearing a misfire, always keep your pistol pointed in a safe direction. Remove the magazine from the pistol. Gripping the serrations on the slide rack the slide back to remove the unspent round from the chamber. Be sure to check for barrel obstructions. Insert one round into your magazine and proceed to fire it. Sometimes ammunition is the culprit for a failure to fire (misfire) if a second round does not go off, proceed to clear your pistol and disassemble to check for all of the components as well as unusual wear.

Failure to feed (FTF) is when the slide fails to strip a round from the mag and chamber it. This usually means that the face of the bullet is slammed into the feed ramp, which may cause the bullet to be pushed into the casing. This may lead to excessive pressure within the casing, which can cause the casing to explode, crack, or even blow the primer out of the back of the casing. If you have an FTF, remove the round from the gun and discard it in a safe location.



Troubleshooting

DISASSEMBLY

ALWAYS WEAR SAFETY GLASSES WHILE DISASSEMBLING YOUR PISTOL

1. Clear the pistol of any ammunition.
2. Slide the slide back until the slide stop is lined up with the first notch from the back on the left side of the slide. You can now push out your slide stop. This will allow the slide to come off the frame.
3. Unscrew the full-length guide rod.
4. Remove the rear half of the guide rod and recoil spring from the slide. Twist the barrel bushing counterclockwise and remove it from the slide. Your barrel is now free to come out of the slide.
5. Push on the back of the firing pin. **BE CAREFUL** - the firing pin spring is under pressure and will jump rapidly out the back. Once you compress it enough, you can start to slide off the firing pin stop. This will allow you to take out the firing pin, the firing pin spring, and the extractor.
6. Remove the grips.
7. **BE CAREFUL** - with your hammer cocked back, grab the thumb safety from the left side of the frame and remove from right to left. The plunger pin and spring could spring out rapidly.
8. Remove plunger pins and spring from the plunger tube.
9. De-cock your hammer without letting it slam forward.
10. Drive out the mainspring housing pin to release the mainspring housing and the grip safety.
11. Remove the sear spring.
12. Drive out the hammer pin to release the hammer from the frame.
13. Drive out the sear pin to release the sear and disconnecter from the frame. Make a note on how they are oriented in the gun. There is only one way they can go in.
14. With a flat-head screwdriver, turn the mag catch lock pin counterclockwise while pushing the mag catch from the opposite side.
15. Remove the trigger by pulling it out from the back of the frame. On Platypus models, the trigger insert is removed by pulling the trigger back from the front.

1911 PISTOLS ARE REASSEMBLED IN THE EXACT OPPOSITE ORDER OF DISASSEMBLY.



You Tube

1911 Disassembly



You Tube

Platypus Disassembly



Platypus Assembly

CLEANING AND CARING FOR FIREARM

After you have disassembled your 1911, you are going to want to clean it. We recommend wiping your pistol down with a microfiber towel to remove any dirt and debris. After wiping it down, use a light oil to lubricate all moving parts, slide rails, frame rails, and springs. Never oil the critical mating surfaces on the sear, hammer, or disconnector.

All ammunition will leave behind a corrosive residue inside the firearm. This residue may build up over time and cause pitting, which will reduce the accuracy of your 1911. The rate that this occurs will depend on how much you shoot and how well you maintain your pistol. You will need to use a cleaning agent that neutralizes and breaks down corrosive lead. Run patches soaked with cleaning agent down the bore of the barrel until it comes out a light gray color. At that point, run a few more to make sure any extra cleaning agent is removed. Once you are sure the bore is clear of residue and cleaning agent, send a lightly oiled patch down your bore to rehydrate the metal and prevent rust.



YouTube

Cleaning

LOADING AND FIRING

NEVER LOAD A FIREARM UNLESS YOU ARE IN A SAFE, OPEN, AND WELL-VENTILATED AREA. When loading your firearm, make sure it is pointed in a safe direction with an appropriate backstop. The first step to loading your firearm is to push the slide back and use the slide stop to lock it back. Insert the magazine while the muzzle is still pointed in a safe direction. With the magazine all the way in the pistol, pull the slide back and let go - this will let the slide slam forward. At this point there is a round in the chamber. Always keep it pointed down range at your target. The hammer should be cocked back. Use your thumb to engage the thumb safety by pressing it into full contact with the slide. **DO NOT DEPEND ON THE THUMB SAFETY.** When you are ready to fire, disengage the thumb safety by moving it to the down position. Aim down range and squeeze the trigger to fire a round off. Once the slide has returned to full forward position, it is ready to be fired again. When the mag is emptied, the slide should lock back. Do not rely on the slide to lock back. Press the mag release and drop the mag out. **ALWAYS CHECK THE CHAMBER TO MAKE SURE THE PISTOL IS EMPTY.**

SPECS

Assembly torque specifications

Guide Rod – Finger tight is all that is required (48 in*lbs. Max)

Magazine Funnel Set Screw – 5.5 in*lbs. and Loctite 222 (Purple)

Novak Style Rear Sight Set Screw –16 in*lbs. and Loctite 242 (Blue)

Cap Set Screw – 16 in*lbs. and Loctite 222 (Purple)

Fixed Rear Sight Screw – 16 in*lbs. and Loctite 222 (Purple)

RECORD KEEPING

Model: _____

Serial: _____